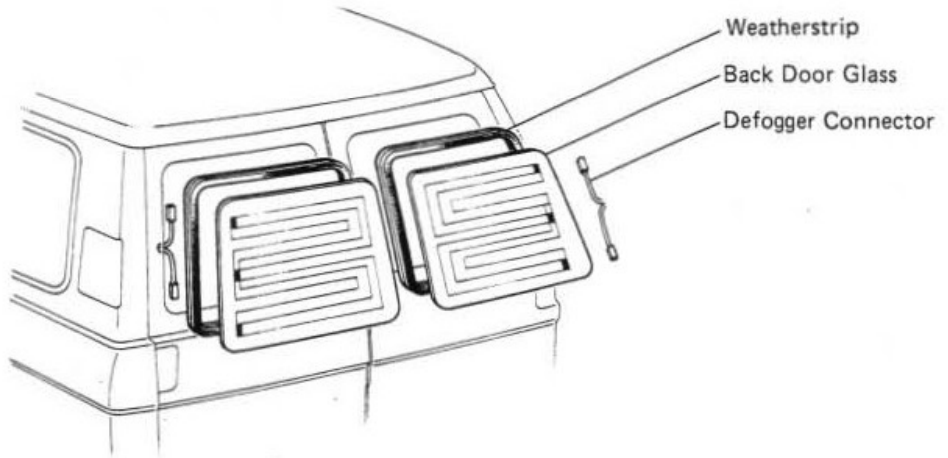
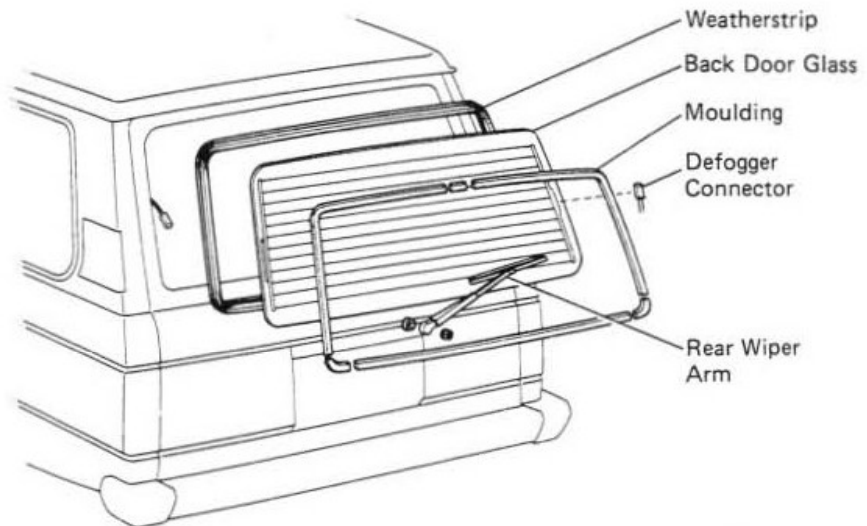


BACK DOOR GLASS COMPONENTS

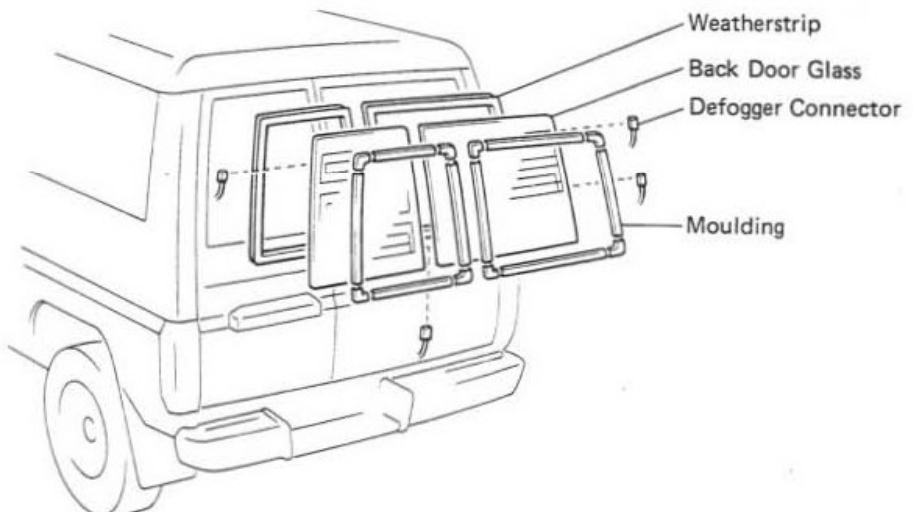
60, 62 Series
Swing Out Type



Lift-up Type



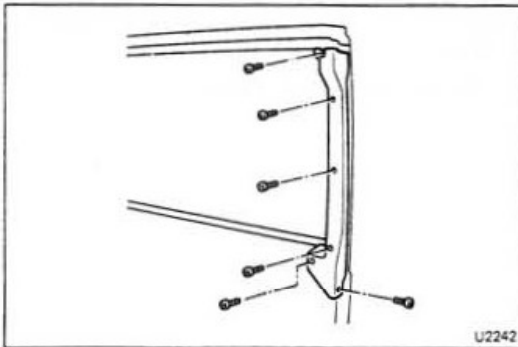
70, 73, 75 Series



REMOVAL OF BACK DOOR GLASS

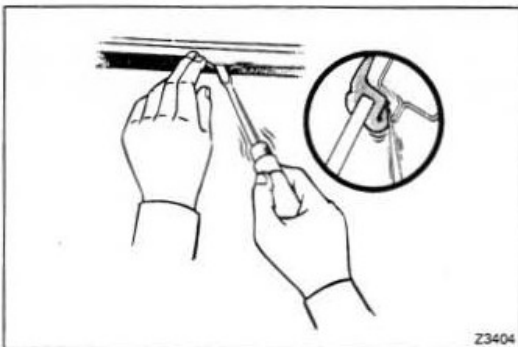
(See page BO-66)

1. REMOVE FOLLOWING PARTS:
 - (a) Spare wheel (70, 73 series)
 - (b) Rear wiper arm
 - (c) Back door moulding (See page BO-49)
 - (d) Defogger connector



2. (70, 73, 75 Series—Ex. Soft Top)
REMOVE DOOR CONTROL LINK COVER

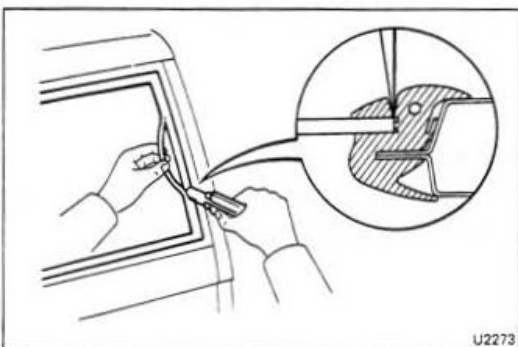
Remove the six screws and link cover.



3. REMOVE BACK DOOR GLASS

If reusing the weatherstrip:

- (a) From inside of vehicle, stuff lip of weatherstrip under flange with screwdriver.
- (b) Push the glass out to remove.

**If using a new weatherstrip:**

- (a) From outside of the vehicle, cut off the weatherstrip lip with a knife.
- (b) Push the back door glass outwards and remove the back door glass.
- (c) Remove the remaining weatherstrip.

INSTALLATION OF BACK DOOR GLASS

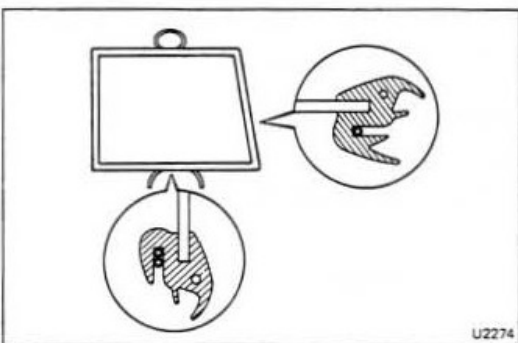
(See page BO-66)

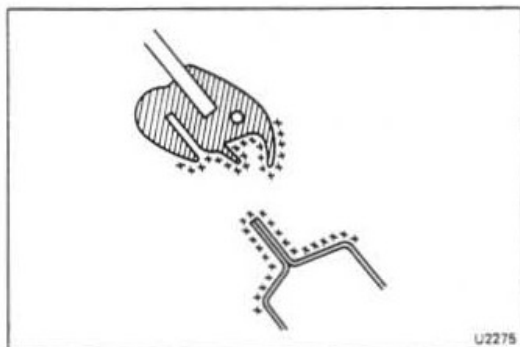
1. INSTALL WEATHERSTRIP ON GLASS

- (a) Attach the weatherstrip to the glass.

CAUTION: If the weatherstrip has hardened, it may develop leaks. Use a new one if possible.

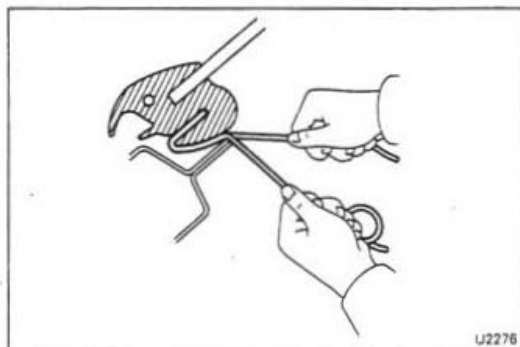
- (b) Insert a cord into the groove of the weatherstrip all the way around with the ends overlapping.





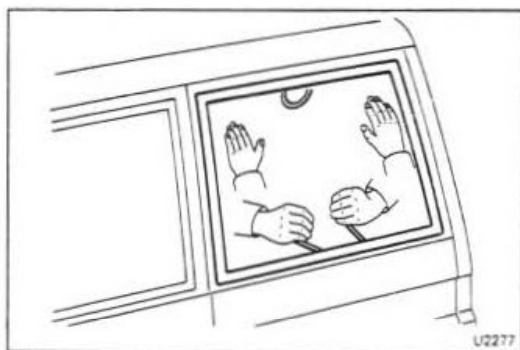
2. INSTALL BACK DOOR GLASS

- (a) Apply soapy water to the contact surface of the weatherstrip lip and to the body flange.

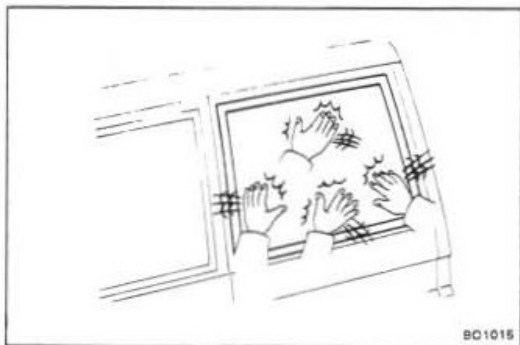


NOTE: Begin installation in the middle of the lower part of the back door glass.

- (b) Hold the glass in position on the body.



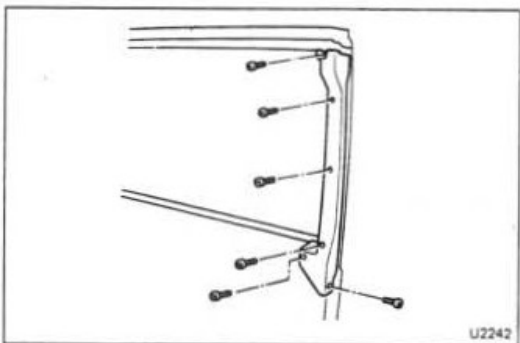
- (c) From the inside, pull on one cord at an angle so it pulls the lip over the flange. From the outside, press the glass along the weatherstrip until the glass is installed.



- (d) Tap on the outside of the glass until it is securely in place.

3. CHECK FOR LEAKS

Pouring water on glass and weatherstrip, check seal for leaks and apply sealant where necessary.



4. INSTALL BACK DOOR CONTROL LINK COVER

Install the link cover with six screws.

5. INSTALL FOLLOWING PARTS:

- (a) Defogger connector
 (b) Back door moulding (See page BO-49)
 (c) Rear wiper arm
 (d) Spare wheel (70, 73 series)